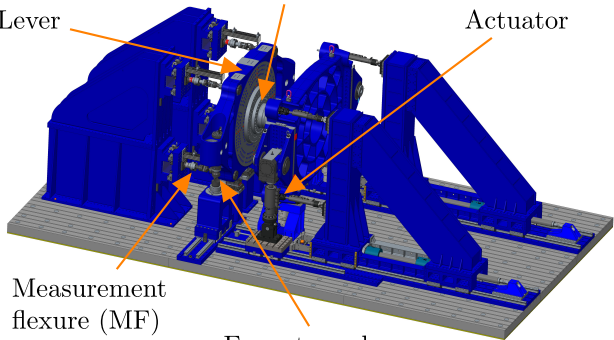


Device under Calibration (DUC)

Lever

Actuator



Measurement  
flexure (MF)

Force transducer

Measurement  
side

Actuator  
side