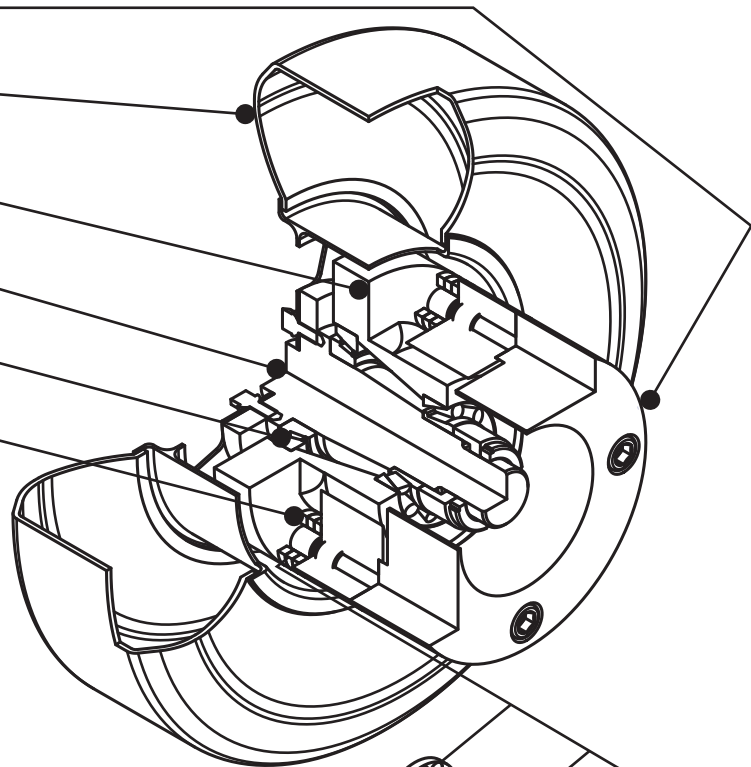


Connection to vehicle  
Tire/rim  
Non-rotating part  
Rotating part  
Bearing  
Triaxial piezoelectric force transducer



Schematic arrangement of force transducers

